

Temperature transmitter



SPECIFICATIONS

testo 6920

The testo 6920 is a cost-effective temperature transmitter that is appealing thanks to its functionality and design. If desired, it can be equipped with a display and/or an interface for adjustment. A set-point adjuster is available as an option for set-point setting. If equipped with an interface, the transmitter can be calibrated/adjusted using the P2A software. The testo 6920 transmitter is available as a wall and a duct version.

Areas of application:

- Industrial and commercial buildings, e.g. in production and storage
- Offices and administrative buildings
- Sales areas and exhibition halls
- Museums and libraries
- School buildings, hotels, clinics etc.

PERFORMANCE FEATURES
testo 6920

- Optional external interface for parameterization, analysis and adjustment using the P2A software
- 2 housing versions for application as a wall or duct version
- Optional display
- Optional set-point adjuster with adjusting range 10 to 32 °C/50 to 90 °F or - ... 0 ... +
- Temperature available as an analog or passive output

Subject to misprints and change, including technical changes.

As at 31.08.2009

Page 1/4

DS 6920/ak/Q/31.08.2009



Temperature transmitter

Technical data

	testo 6920 - A01 (wall version)	testo 6920 - A02 (duct version)
Parameters		
Temperature		
Meas. range	0 to +70 °C/ +32 to +158 °F	-20 to +70 °C/ -4 to +158 °F
Accuracy	±0.5 °C/0.9 °F	
Selectable units	°C/°F	
Sensor	5 kΩ NTC (active) Pt 100 class A looped through (passive) Pt 100 class B looped through (passive) Pt 1000 class B looped through (passive) NI 1000 looped through (passive) 5 kΩ NTC looped through (passive) 10 kΩ NTC looped through (passive)	

Inputs and outputs		
Analog outputs		
Number of channels	2 channels (temperature)	
Output type	4 to 20 mA (2-wire) 0 to 1/5/10 V (4-wire)	
Meas. cycle	1/sec	
Accuracy of analog outputs	4 to 20 mA ±0.05 mA 0 to 1 V ±2.5 mV 0 to 5 V ±12.5 mV 0 to 10 V ±25 mV Resistance value of the temperature sensor (passive)	
Supply		
Voltage supply	20 to 30 V DC/V AC 24 V DC ±10 %	
Current consumption		
Outlet	Supply voltage [V]	Current consumption [mA]
2-wire current 4 to 20 mA	20	20
	24	20
	30	20
4-wire voltage 0 to 10 V	24	7
	30	7
	20	20
	24	22
	30	28

Operating conditions	
Electronics temperature (housing) (with/without display)	Without display: 0 to +70 °C/ +32 to +158 °F (A01) With display: 0 to +50 °C/+32 to +122 °F (A01) Without display: -20 to +70 °C/ -4 to +158 °F With display: 0 to +50 °C/ +32 to +122 °F
Storage temperature	-40 to +80 °C/-40 to +176 °F
Measuring medium	Air in air-conditioning systems or air-conditioned rooms

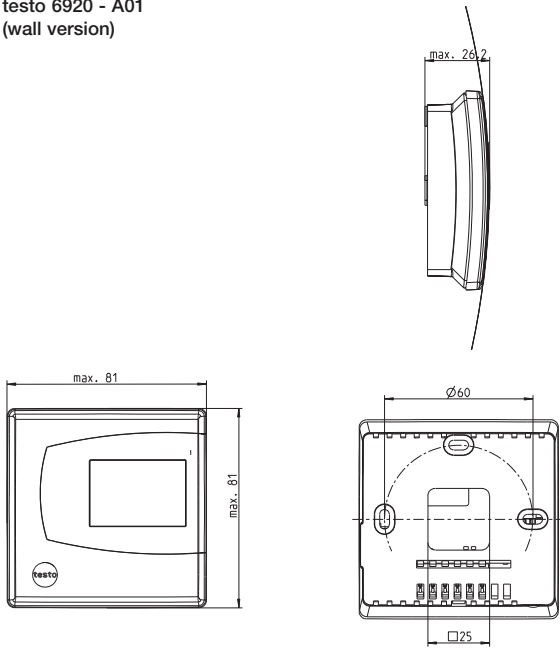
	testo 6920 - A01 (wall version)	testo 6920 - A02 (duct version)
General		
Housing		
Material/colour	ABS, pure white (RAL 9010)	
Dimensions	81 x 81 x 26 mm/3.19 x 3.19 x 1.03"	81 x 81 x 42 mm/3.19 x 3.19 x 1.66", without probe shaft
Weight	80 g	160 g
Display		
Display	1-line, 7-segment	
Resolution	0.1 °C/0.1 °F	
Operation		
Nominal value adjusting range	10 to 32 °C/50 to 90 °F / - ... 0 ... + or via the keys (C01 with W01 or W02) or via P2A (optionally via external interface)	
Assembly		
Cable screw connection	None (cable routed through rear wall opening or break-out opening on bottom)	1 x M16 x 1.5
Miscellaneous		
Protection class	IP 30	IP 65
EMC	According to EC Directive 89/336 EEC, EN 60730-1	

Temperature transmitter

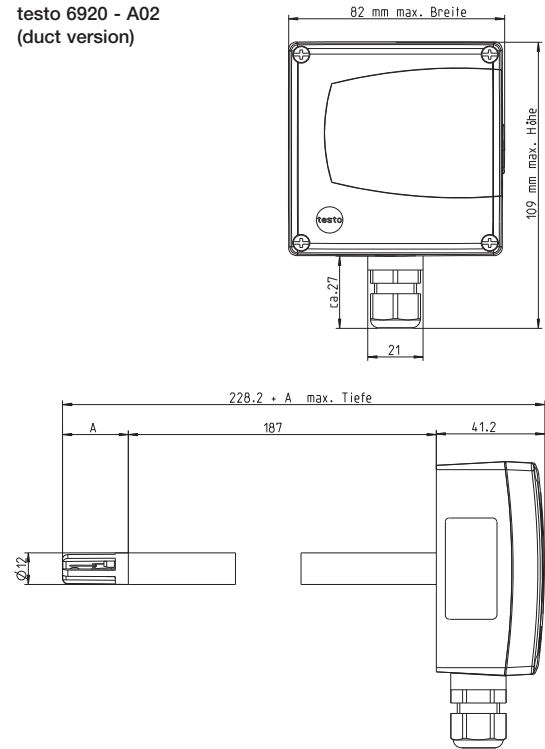


Technical drawings

testo 6920 - A01
(wall version)



testo 6920 - A02
(duct version)



Pin assignment

Wall version active

Current with sensor	<table border="1"> <tr> <td colspan="2">I_S</td> <td colspan="2">I_T</td> <td></td> <td></td> </tr> <tr> <td>-</td> <td>+</td> <td>-</td> <td>+</td> <td></td> <td></td> </tr> <tr> <td>8</td> <td>7</td> <td>6</td> <td>5</td> <td>4</td> <td>3</td> </tr> </table>	I _S		I _T				-	+	-	+			8	7	6	5	4	3
I _S		I _T																	
-	+	-	+																
8	7	6	5	4	3														
Current without sensor	<table border="1"> <tr> <td></td> <td></td> <td colspan="2">I_T</td> <td></td> <td></td> </tr> <tr> <td></td> <td></td> <td>-</td> <td>+</td> <td></td> <td></td> </tr> <tr> <td>8</td> <td>7</td> <td>6</td> <td>5</td> <td>4</td> <td>3</td> </tr> </table>			I _T						-	+			8	7	6	5	4	3
		I _T																	
		-	+																
8	7	6	5	4	3														
Voltage with sensor	<table border="1"> <tr> <td colspan="2">U_S</td> <td colspan="2">U_T</td> <td colspan="2">24V</td> </tr> <tr> <td>-</td> <td>+</td> <td>-</td> <td>+</td> <td>-</td> <td>+</td> </tr> <tr> <td>8</td> <td>7</td> <td>6</td> <td>5</td> <td>4</td> <td>3</td> </tr> </table>	U _S		U _T		24V		-	+	-	+	-	+	8	7	6	5	4	3
U _S		U _T		24V															
-	+	-	+	-	+														
8	7	6	5	4	3														
Voltage without sensor	<table border="1"> <tr> <td></td> <td></td> <td colspan="2">U_T</td> <td colspan="2">24V</td> </tr> <tr> <td></td> <td></td> <td>-</td> <td>+</td> <td>-</td> <td>+</td> </tr> <tr> <td>8</td> <td>7</td> <td>6</td> <td>5</td> <td>4</td> <td>3</td> </tr> </table>			U _T		24V				-	+	-	+	8	7	6	5	4	3
		U _T		24V															
		-	+	-	+														
8	7	6	5	4	3														

Wall version passive

With sensor	<table border="1"> <tr> <td colspan="2">R_S</td> <td colspan="2">R_T</td> </tr> <tr> <td>4</td> <td>3</td> <td>2</td> <td>1</td> </tr> </table>	R _S		R _T		4	3	2	1
R _S		R _T							
4	3	2	1						
Without sensor Duct version passive	<table border="1"> <tr> <td colspan="2">R_T</td> </tr> <tr> <td></td> <td></td> </tr> </table>	R _T							
R _T									

Duct version active

Current	<table border="1"> <tr> <td></td> <td></td> <td colspan="2">I_T</td> </tr> <tr> <td></td> <td></td> <td>+</td> <td>-</td> </tr> <tr> <td>1</td> <td>2</td> <td>3</td> <td>4</td> </tr> </table>			I _T				+	-	1	2	3	4
		I _T											
		+	-										
1	2	3	4										
Voltage	<table border="1"> <tr> <td colspan="2">24V</td> <td colspan="2">U_T</td> </tr> <tr> <td>+</td> <td>-</td> <td>+</td> <td>-</td> </tr> <tr> <td>1</td> <td>2</td> <td>3</td> <td>4</td> </tr> </table>	24V		U _T		+	-	+	-	1	2	3	4
24V		U _T											
+	-	+	-										
1	2	3	4										



Temperature transmitter

The following options can be specified for the testo 6920:

AXX	Version
BXX	Analog output/supply
CXX	Display
EXX	Housing colour
SXX	Interface
GXX	Unit
KXX	Language of the instruction manual (for bilingual paper instruction manual)
WXX	Set-point adjuster

AXX	Version
A01	Wall version IP30
A02	Duct version IP65

BXX	Analog output/supply
B01	4 to 20 mA (2-wire, 24 V DC)
B02	0 to 1 V (4-wire, 20 to 30 V AC/DC)
B03	0 to 5 V (4-wire, 20 to 30 V AC/DC)
B04	0 to 10 V (4-wire, 20 to 30 V AC/DC)
B21	Pt 100 class A passive
B22	Pt 100 class B passive
B23	Pt 1000 class B passive
B24	Ni1000 passive
B25	NTC 5 kohm passive
B26	NTC 10 kohm passive

CXX	Display
C00	Without display
C01	With display (only for B0x)

EXX	Housing colour
E02	Housing colour pure white (RAL9010) without logo
E03	Housing colour pure white (RAL9010) b&w testo logo

SXX	Interface
S00	Without external interface
S01	With external interface (only for B0x)

GXX	Unit
G00	No unit (only for B2x)
G01	Temperature (°C) (only for B0x)
G02	Temperature (°F) (only for B0x)

KXX	Language of the instruction manual (for bilingual paper instruction manual)
------------	--

K01	German/English instruction manual
K02	French/English instruction manual
K03	Spanish/English instruction manual
K04	Italian/English instruction manual
K05	Dutch/English instruction manual
K06	Japanese/English instruction manual
K07	Chinese/English instruction manual

WXX	Set-point adjuster
------------	---------------------------

W00	Without set-point adjuster
W01	With set-point adjuster 10 to 32 °C (only for A01 B0x .. G01)
W02	With set-point adjuster 50 to 90°F (only for A01 B0x .. G02)
W03	With set-point adjuster -.0..+ (only for A01 B0x C00)
W04	With set-point adjuster 5k, 10 to 32 °C (only for A01 B2x)
W05	With set-point adjuster 5k, 50 to 90°F (only for A01 B2x)
W06	With set-point adjuster 5k, -.0..+ (only for A01 B2x)
W07	With set-point adjuster 10k, 10 to 32 °C (only for A01 B2x)
W08	With set-point adjuster 10k, 50 to 90°F (only for A01 B2x)
W09	With set-point adjuster 10k, -.0..+ (only for A01 B2x)

Example:

Order code for testo 6920 transmitter with the following options:

- Duct version IP65
- Analog output Pt 100 class B passive
- Without display
- Housing colour pure white (RAL9010) without logo
- Without external interface
- No unit
- Language of instruction manual German/English
- Without set-point adjuster

0555 6920 A02 B22 C00 E02 S00 G00 K01 W00

K – TEST, s.r.o.
 Letná 40
 042 60 Košice
 Tel/fax.: 055 6253633, 6255159
 ktest@iol.sk, ktest@ktest.sk
 www.ktest.sk, www.testo.sk
 0905 522488